



**R16**



Thanks for choosing our R16.

Since we've pre-assembled the lamps, installing them is done in a few simple steps.

Please have an electrician do the electrical installation part.

Detailed instructions can be found online:  
[store.waarmakers.nl/r16specs-instructions](https://store.waarmakers.nl/r16specs-instructions)

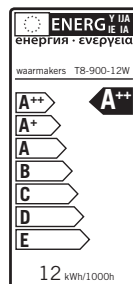
Notice: If you encounter anything unusual during the installation, or if the item differs from the description in this manual, we recommend to stop the installation process and contact us directly.

Company **Waarmakers V.O.F.**  
Keerpunt 10  
1013 DK Amsterdam  
The Netherlands  
+31 20 261 76 68  
info@waarmakers.nl  
store.waarmakers.nl

Product : LED Tubelight luminary  
Model / Type : R16 / 2020.1  
Power : 220V  
Production year : 2020

Conform European guidelines:

2014/35/EU - Low voltage directive  
2014/30/EU - Electromagnetic compatibility  
2011/65/EU - RoHS



**RoHS**



## Safety Instructions

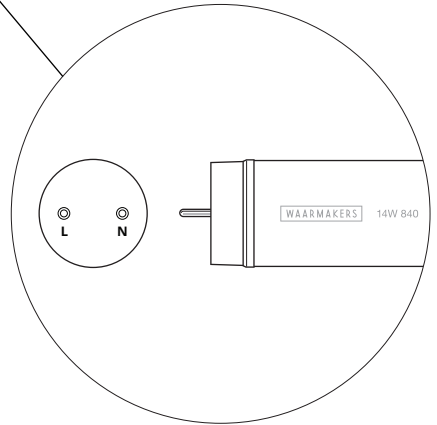
### IMPORTANT:

We recommend installation of this pendant lamp be performed by a licensed electrician. Plugs for mounting the lamp are not included.

### CAUTION!

Always connect the side with printed info to power. Look for the sticker with L + N sign.

DO NOT insert the other end of the LED tube in the fitting connected to power.



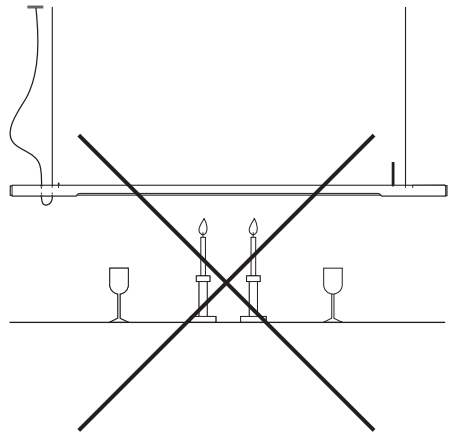
### INSTALLATION INSTRUCTIONS

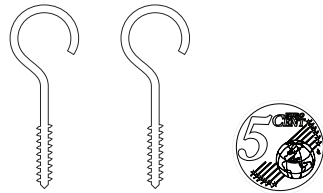
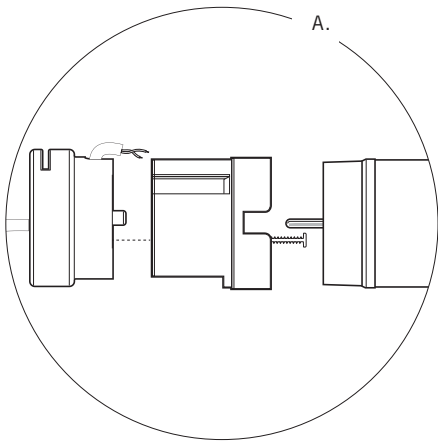
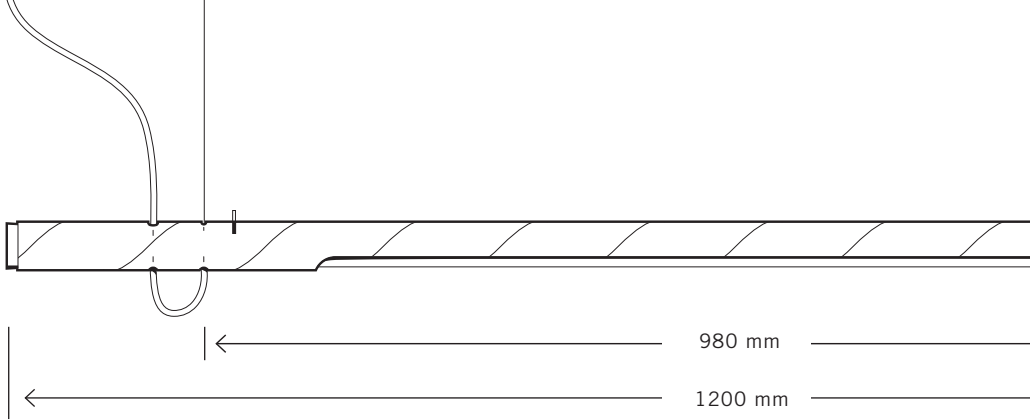
Before starting, turn off power at main circuit panel.

### CLEANING

Do not use water or a damp cloth, only clean with a dry cloth. Do not immerse in water.

**PLEASE BE CAREFUL WITH CANDLES AND OTHER OPEN HEAT SOURCES.**



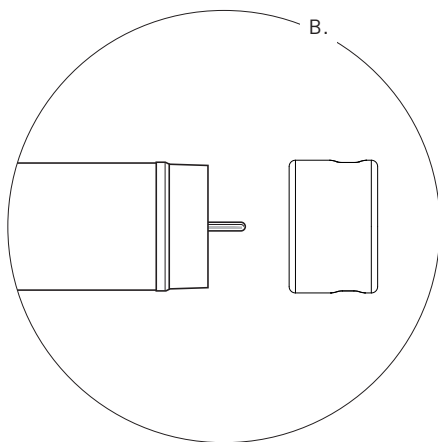
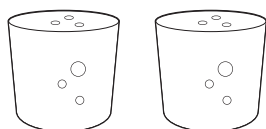
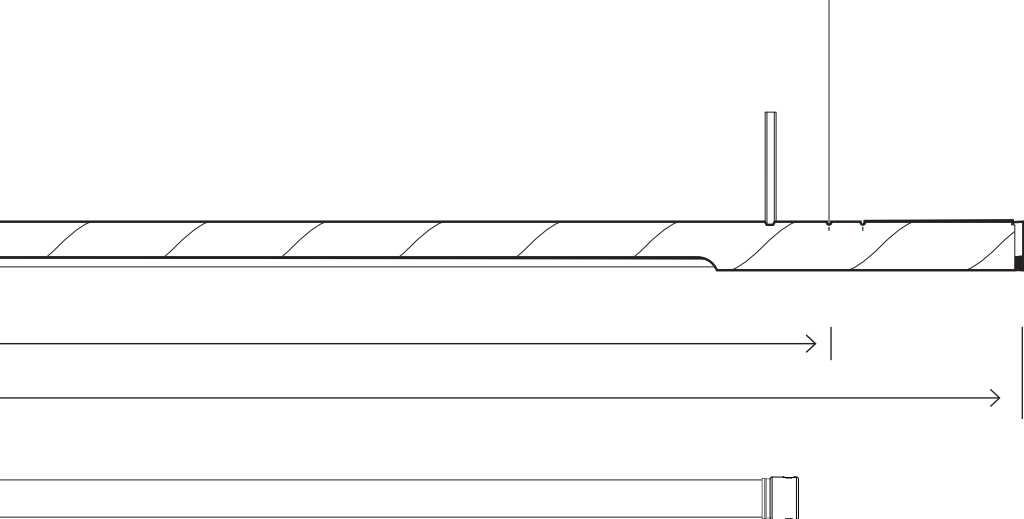


## Overall dimensions

1200 x 32 mm

Powercord 2m

Pendant Cord length 4m

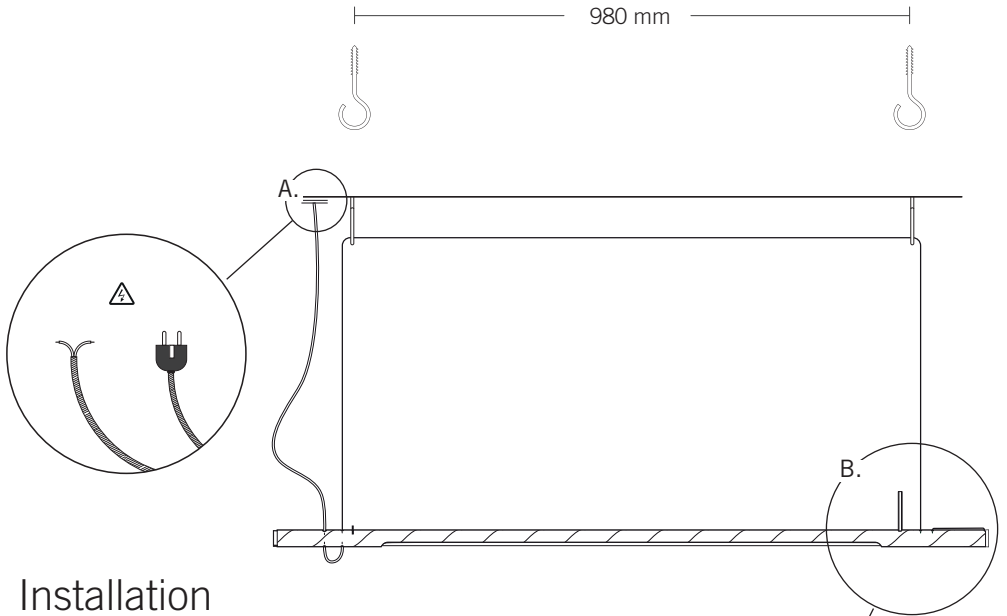


## Items included

Light Fixture	Cardboard Tube Ø3,2x120cm
Lamp End	2x Conical Cork
Pendant Cord	4m Cotton cord
Power Cord	2m Black cord
LED tube	900mm LED T8 3000K / 4000K
Lampholder fix B	Including pull relief & 5 Cent Coin
G13 Lamp holder	Push-Fitting T8 (fig. B.2)
Lampholder fix A	Lampholder Dummy & fixation hexagon pencil
Screw Hooks	2x M4 coated black

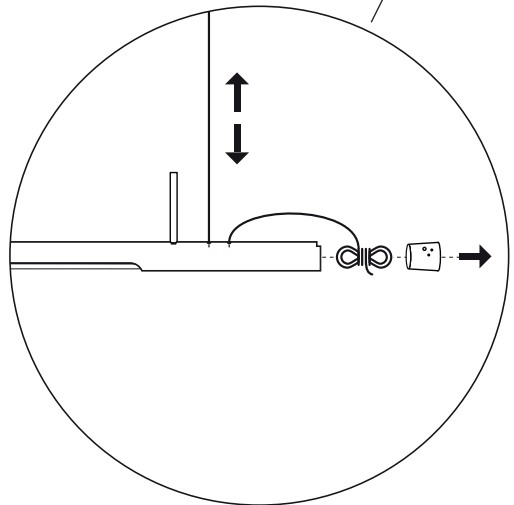
### PLEASE NOTE!

pre-assembled lamps come with a pencil and a 5 cent coin.



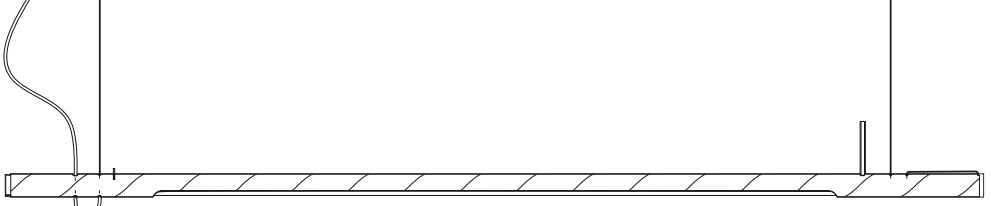
## Installation

1. Turn off power at main circuit.
2. Screw hooks in the ceiling, 98cm apart [make sure to use the appropriate plugs - not included] and guide cord through hooks to hang it.
3. Connect the powercord A. to power network.
4. Height adjustment B. lengthen the cord by removing the cork on the pencil-end, and gently pull at the cord until reaching the desired length. When the lamp is at the right height and leveled, push excess cord back into tube and close with cork.

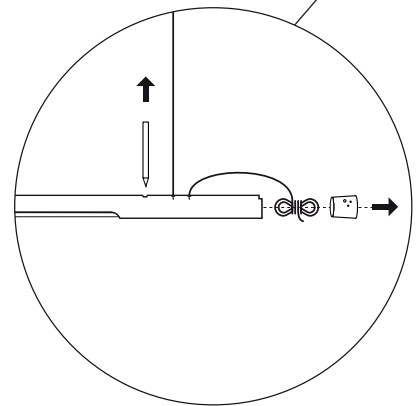
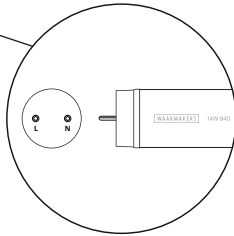


**WARNING: TO AVOID THE RISK OF SUFFOCATION, KEEP CORK (B1) OUT OF REACH OF SMALL CHILDREN AND ANIMALS.**

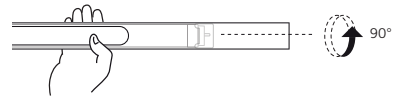
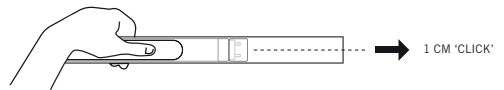




## Replacing the LED



1. First turn off main power.
2. Remove cork at side B. 'pencil-end' of the fixture, and pull out excessive cord.
3. Carefully pull out pencil in an upward motion
4. Click LED loose from fitting. Use your thumb to apply pressure at opening to the LED Tube in direction shown, and slide LED Tube approx. 1 cm out while holding the R16, until feeling it 'click' loose.
5. Rotate LED inside the tube. Apply pressure using your thumb to rotate the LED inside the tube 90 degrees. Now the LED can be pushed out side of the tube
6. Pull the pencil-fitting off from the end of the LED tube and reattach fitting to the new to be installed LED Tube. **CAUTION! USE THE NON-POWERED END WITHOUT THE L+N SINGAGE**



7. Re-insert the LED Tube into the cardboard fixture. Rotate the TUBE (as in step 5) so that it can pass the rope and enter the tube. Push until it clicks into the powered fitting with the coin. **CAUTION! ONLY CONNECT L + N SIDE OF TUBE TO POWER (FIGURE C)**
8. Press pencil back into pencil-hole in the fitting to fix the lamp inside the cardboard tube. Push cord back in and close with the cork.