

**RECAST
PENDANT
LIGHTING**



Thanks for choosing Recast

Since we've pre-assembled the lamps,
installing them is done in a few simple steps.

Design by Waarmakers

**NOTICE: IF YOU ENCOUNTER AN UNUSUAL
SITUATION DURING THE INSTALLATION OF THE
RECAST, WE ADVISE YOU TO CONTACT US DIRECTLY.**

Company **Waarmakers V.O.F.**
Keerpunt 10
1013 DK Amsterdam
The Netherlands
+31 20 261 76 68
info@waarmakers.nl
store.waarmakers.nl

Product : LED bulb pendant luminary
Model / Type : Recast pendant lighting /2021.1
Power : 220-240V
Production year : 2021

Conform European guidelines:

2014/35/EU - Low voltage directive
2014/30/EU - Electromagnetic compatibility
2011/65/EU - RoHS



RoHS

Instructions

IMPORTANT:

Installation should be performed by a licensed electrician. Plugs and screws for mounting the lamp are not included.

Ingress Protection:

IP20 [this lamp is not moisture or water resistant].

Cleaning advice:

Do not use water or a damp cloth, only clean with a dry cloth. Do not immerse in water.

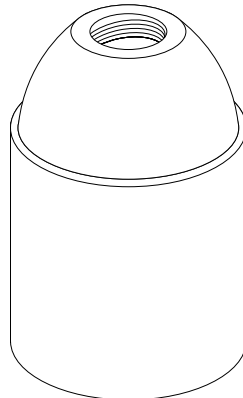
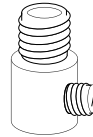
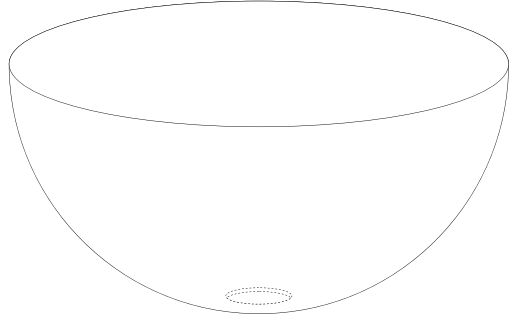
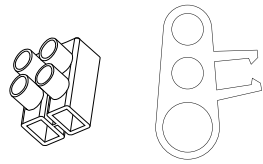
TOOLS & PREPARATIONS:

Before starting, turn off main power. Keep all of the included components, tools and screws within arms reach of installation area.

Icons below are used to indicate the necessary tools for each step.

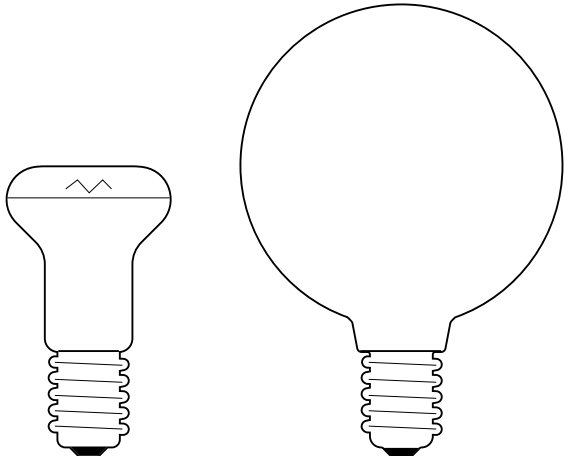


Components



LED light source

	LED SPOT	GLOBE
Glass Finish	OPAL glass	FROSTED glass
LED cap base	E14	E27
Power consumption	4 W	35 W
Voltage	220-240 V	220-240 V
Luminous flux	250 lm	400 lm
Length	135 mm	84 mm
Diameter	9 mm	50 mm
Color Temperature	2500K	2500K
Color Rendering Index	>90 Ra	>90 Ra
Dimmable	YES	YES
Rated Lifetime	25000 hours	25000 hours
Energy Efficiency Label	A+	A+





ATTENTION!

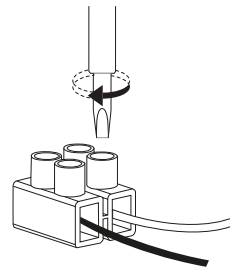
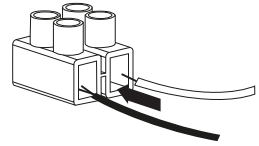
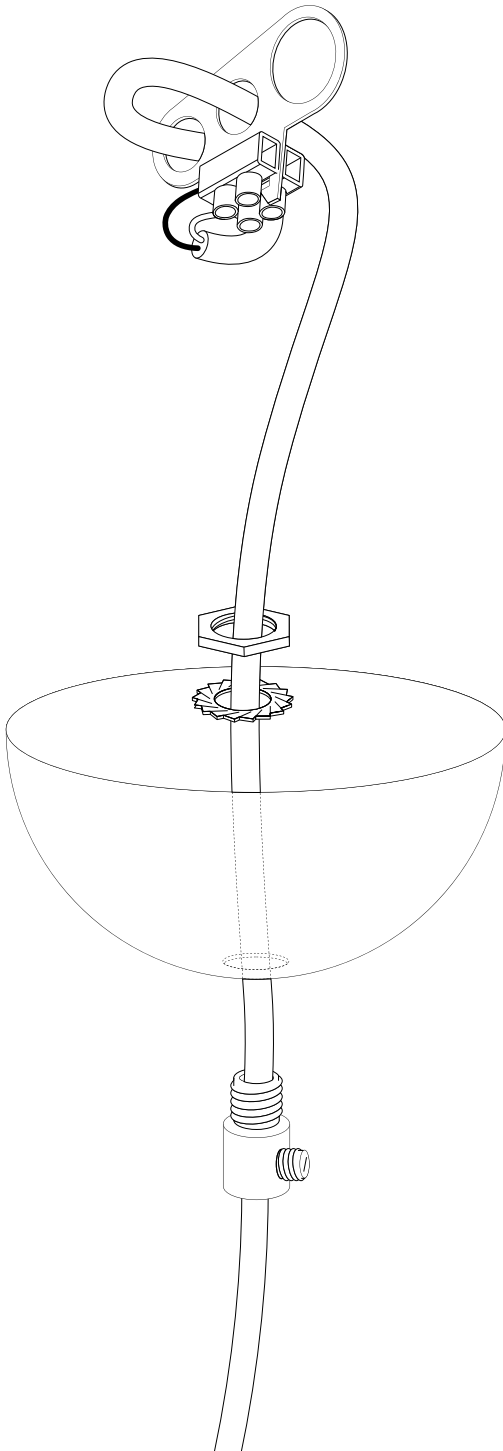
Before starting installation,
turn off main power.

STEP 1.

OPTIONAL:

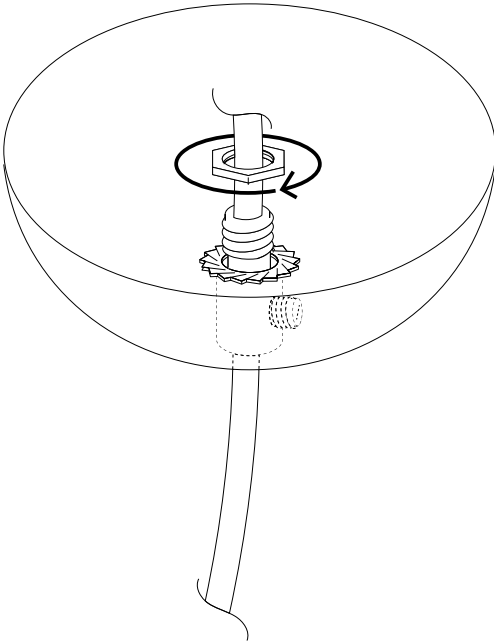
To adjust the height of the fixture, strip the power cord to preferred length and connect to terminal.

! Always guide the power cord through both smaller holes before connecting to terminal.



STEP 2.

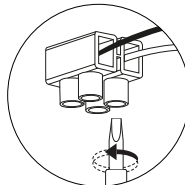
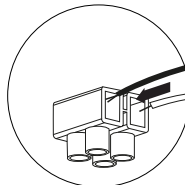
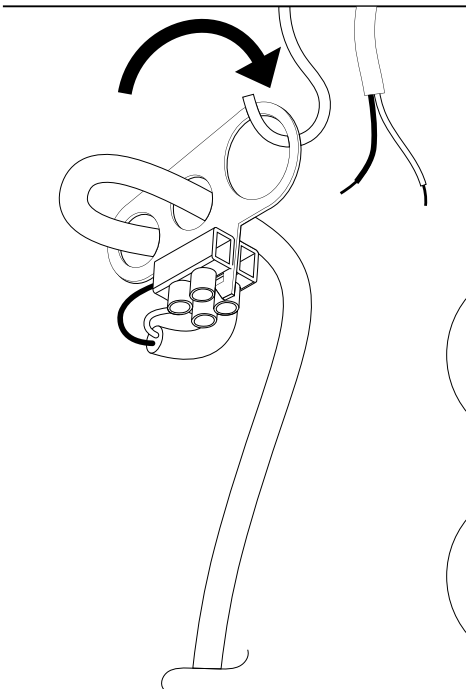
Fasten canopy to the pull relief by screwing nut and washer over the threaded end of the pull relief.

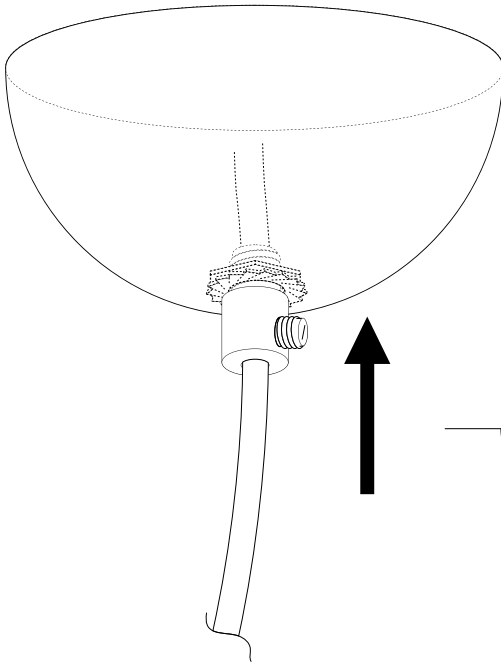


STEP 3.

Hang larger hole to ceiling hook to fix the lamp.

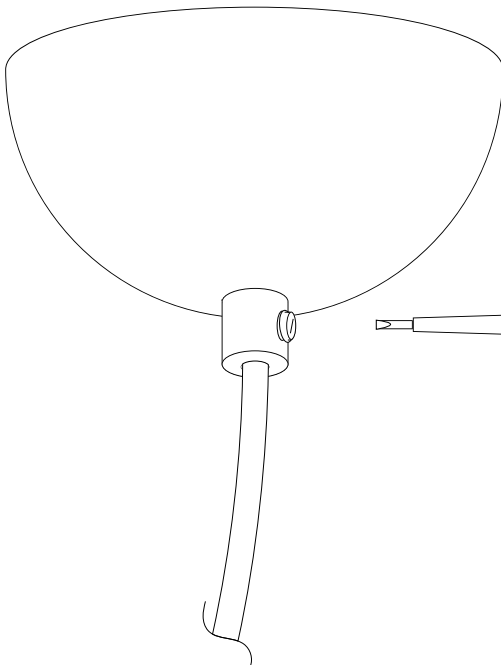
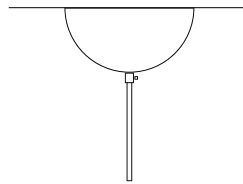
Now connect wire terminal to power.





STEP 4.

Push canopy tight up the ceiling.



STEP 5.

Gently but firmly screw the translucent pullrelief-screw to fix the cord and canopy.